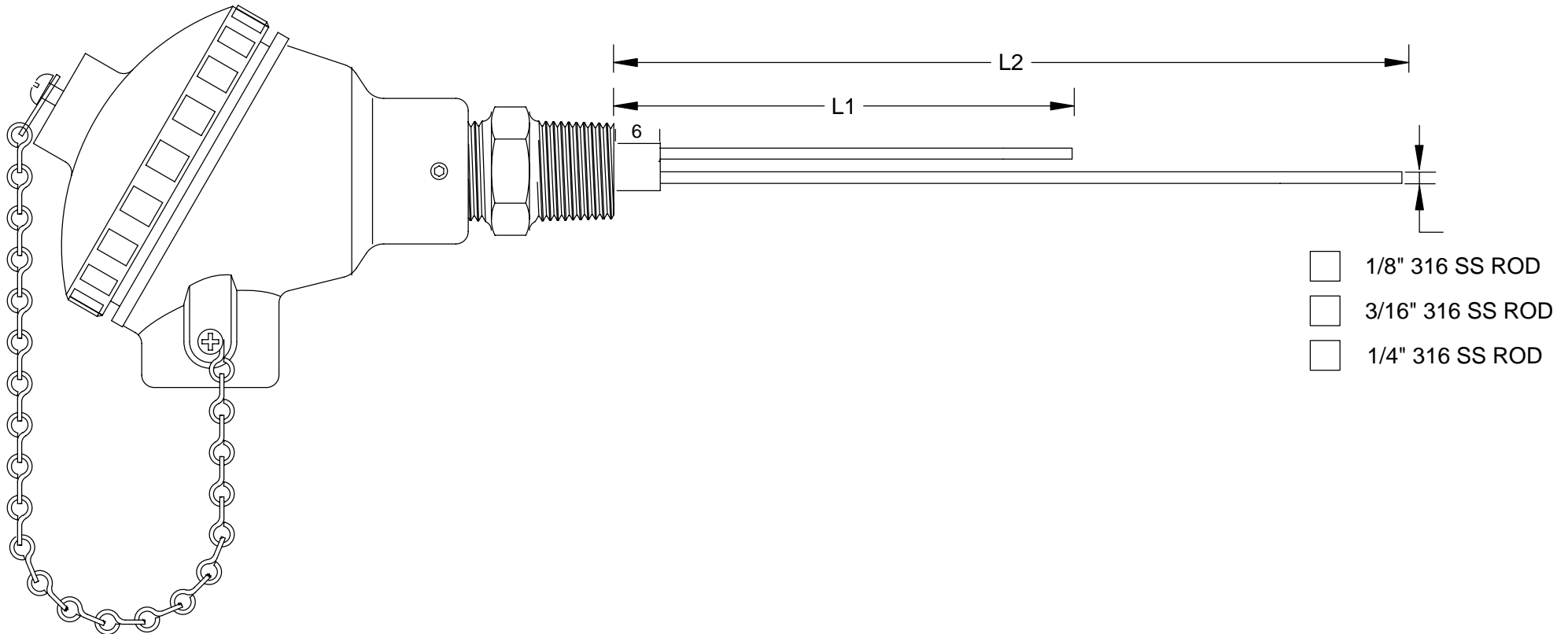


CONDUCTIVITY LEVEL PROBE
APPLICATION - NON - CONDUCTIVE TANK - SINGLE ALARM
APPLICATION - CONDUCTIVE TANK - DUAL LEVEL CONTROL



PROCESS CAPABILITIES

- MUST BE USED WITH CONDUCTIVITY CONTROLLER
- PROBE DIA 1/8" OR 3/16" OR 1/4" 316 S/S STANDARD
- PROCESS CONNECTION: -3/4" BSP OR NPT
 -1" BSP OR NPT
- SUITABLE FOR UNPRESSURISED APPLICATIONS ONLY.
- FOR PRESSURE APPLICATIONS CONSULT THE FACTORY

TEMPERATURE CONTROLS PTY LTD		Certificate No: QEC 14412 AS/NZS 9001:2000
<p>CONDITIONS</p> <p>THIS DRAWING IS OUR EXCLUSIVE PROPERTY AND MUST NOT BE COPIED OR HANDED TO ANY OTHER PARTIES WITH OUT WRITTEN PERMISSION. IT SHALL BE RETURNED UPON REQUEST</p>	SYDNEY : 7 YAMMA ST SEFTON , NSW 2162 PHONE : (02) 9721 8644 FAX : (02) 9738 9339 MELBOURNE : 8/280 WHITEHALL ST YARRAVILLE VIC 3013 PHONE : (03) 9687 0000 FAX : (03) 9687 1900 EMAIL : sales@temperature.com.au	
	<p>TITLE</p>	
SIZE : A4	DATE : 17/08/12	DWG NO : SD 452
SCALE : NTS	DRAWING BY R.B	REV : 00

